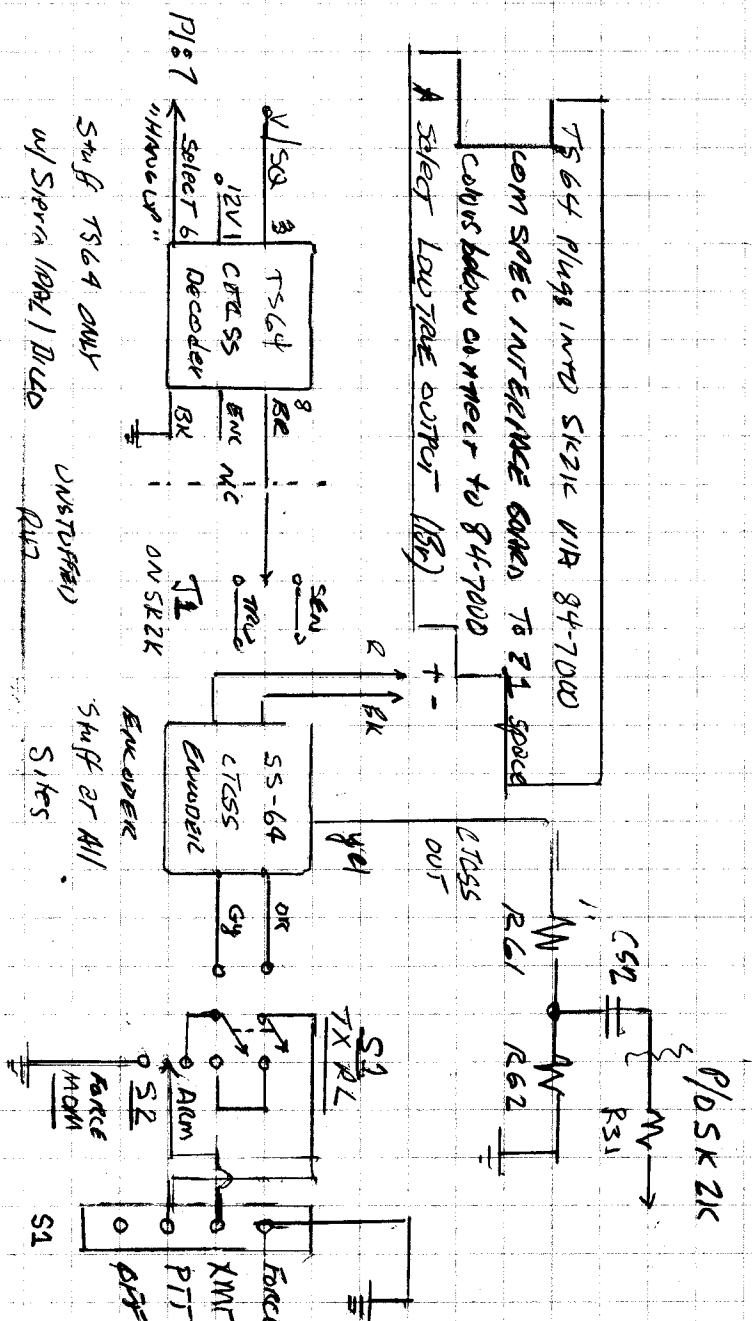


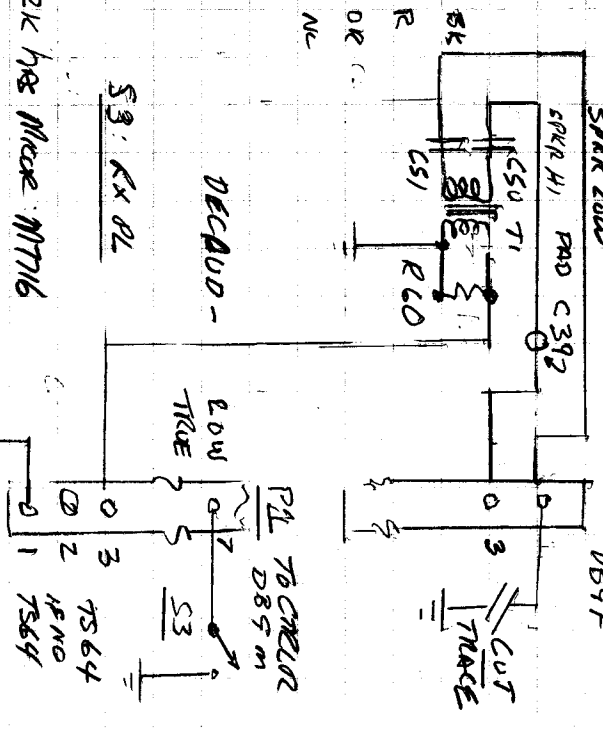
TS64 PLUGS INTO SK2K VIA 84-7000
COM SPEC INTERFACE BOARD TO 21 SPACE
CABLES BELOW CONNECT TO 84-7000
SELECT LOW TRACE OUTPUT (182)



STUFF TS64 ONLY
w/ Sierra 1001/1000

UNSTUFFED
SHIFT AT ALL
ENCODER
SITES

POWER
T1: 1:1 AUDIO Transformer
C50, S1 104F NP
C52: 0.1uF R62: 2.2K
R60 620R, R61: 10K
S1: DPDT
S2 SPDT NORM
S3 SPDT



NOTES

1. SRS & DRD: UNLESS ABILITY TS64, TOP, SS64 TO BOTTOM OF SICK BOARD, SK2K HAS MISC INTT16
 2. ALOMAG: SAME AS SRS, BUT NO MICRO SWITCH NEEDED, R2 SENSE - LOW TRACE IT TO SEN1
 3. I-Square: NO TS64, USE COM REV RL; SS64 TX PL - TU R41 @ AND D C29 TO P/AN) TO GET C50
 4. ALL NON TS64 SITES REQUIRE TU R41: 2 PAD TO R40: 2 PAD (COS FEED = I2: 5 TO U3: 11)
- SS64 CROSS ENCODER
1. Proper connection of PT IN/OUT IS CRITICAL! AT SK2K S1 ORDER BK R OR
 2. Before installing remove SS64 JPA1 solder bridge
THIS ACTIVATES REVERS AND BURST. SS64 will be IN
AND MAY BLUUP IE THIS IS NOT DONE

INTERFAC, Inc
COM-SK2K INTERFACE
S-9-17 Rev 2 6.83.20
DE USEX

1. Accessory plug cables R+TX TO DB9 MALE PLUG
2. A+ A- "11A" "Trailer" cable to ATC FUSE BLOCK
3. AN NON TS64 (I2) COM COS SHALL UP AT J2: 5 See (4) above
4. Duplexer underneath tray

6. Basic hookup